

MODELS LMF-12, TP-16 & TP-18 SPECIFICATIONS

Model:	LMF-12, TP-16 & TP-18
Capacity:	LMF-12 -- 12,000 lbs. (5443.11 Kg) TP-16 -- 16,000 lbs. (7257.49 Kg) TP-18 -- 18,000 lbs. (8164.66 Kg)
Lifting Speed:	60 seconds (faster with lighter load)
Motor Rating:	4 HP/208-230V, Single-phase (3Ø optional)
Synchronization:	Hydraulic fluid displacement using no chains, cables, or overhead obstructions
Arm Pad Height:	5" (12.7 cm) min.
Lifting Height:	6' (1.83 m) under arm
Arm Pad Height @ Full Rise:	6'5" (1.96 m)
Max. Arm Pad Height with Adaptors:	7'3" (2.21 m)
Overall Width:	12' 7½" (3.85 m) (adjustable)
Width Between Posts:	10' (3.05 m) (adjustable)
Width Between Lifting Arms:	8' 9¾" (2.69 m) (adjustable)
Column Height:	8' 7" (2.62 m)
Max. Cylinder Height:	13'6" (4.11 m)
Overhead Hydraulic Line Height:	15' (4.57 m) Standard (adjustable to accommodate any height ceiling or routed in-floor)
Weight:	LMF-12 -- 3100 lbs. (1406.13 Kg) TP-16 -- 3600 lbs. (1632.96 Kg) TP-18 -- 3900 lbs. (1769.01 Kg)
Concrete Floor Requirements:	4000 psi (27579.02 kPa) mix 6½" (16.51 cm) depth
Anchoring System: Included	(16) ¾"x6" (1.91x15.24 cm) bolts
Mechanical Safety Locks:	Automatic; multi-position starting @ 5" (12.7 cm) off the floor
Hydraulic Safety Systems:	Automatic; all position
Swing Arm Restraints:	Automatic upon ascent
Cylinders:	2 (1 per column)
Drive System:	Direct drive (using no cables or chains)
5" Frame Adaptors (stackable):	4 included as standard equipment
7½" Frame Adaptors (stackable):	4 included as standard equipment
10" Frame Adaptors (stackable):	4 included as standard equipment
Steel Carriage Bearings:	(16) 4" (10.16 cm) diameter (8 per carriage) double sealed, self-lubricating ball bearing rollers
Floor Access Between Posts:	Clear and unobstructed
Warranty:	25 years structural, 10 year mechanical, plus limited lifetime cylinder seal warranty

Mohawk builds the best products with the finest materials, to the highest standards. Just compare our lifts. Our staff will assist you with a fleet evaluation, design assistance and answer any technical questions you have. We invite your calls.

Mohawk lifts are manufactured in compliance with the following standards: OSHA, ALI, ANSI, ASME, AISI, ASTM, ASA, NEC, AWG, NEMA.

MEETS CURRENT NATIONAL ANSI & OSHA CODE FOR LIFTS.



www.facebook.com/mohawklifts

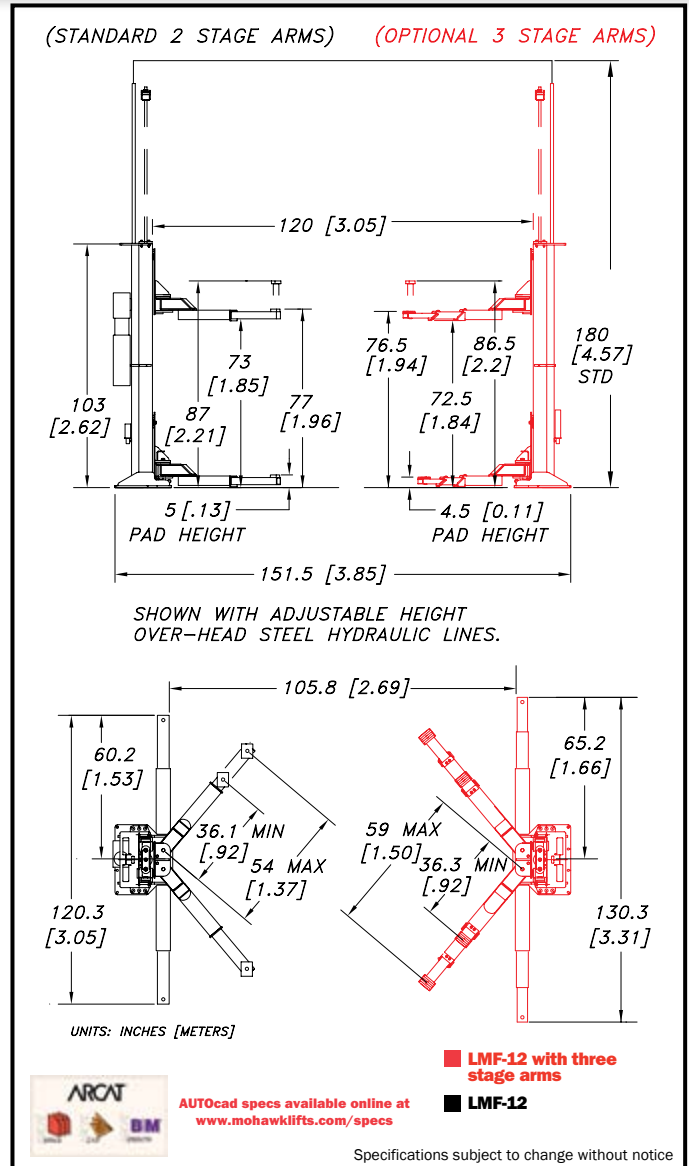


Mohawk Resources, LTD.
P.O. Box 110
65 Vrooman Ave
Amsterdam, NY 12010
(800) 833-2006
(518) 842-1431
FAX: (518) 842-1289
www.mohawklifts.com



GSA contract #GS07F-7099B

AVAILABLE UNDER DISCOUNTED GOVERNMENT CONTRACT IN ALL 50 STATES



Scan the QR Code or Microsoft Tag to find out more about Mohawk LMF-12, TP-16 & TP-18 Lifts



For more detailed product information read this book at www.mohawklifts.com/wmamam

DISTRIBUTED BY: